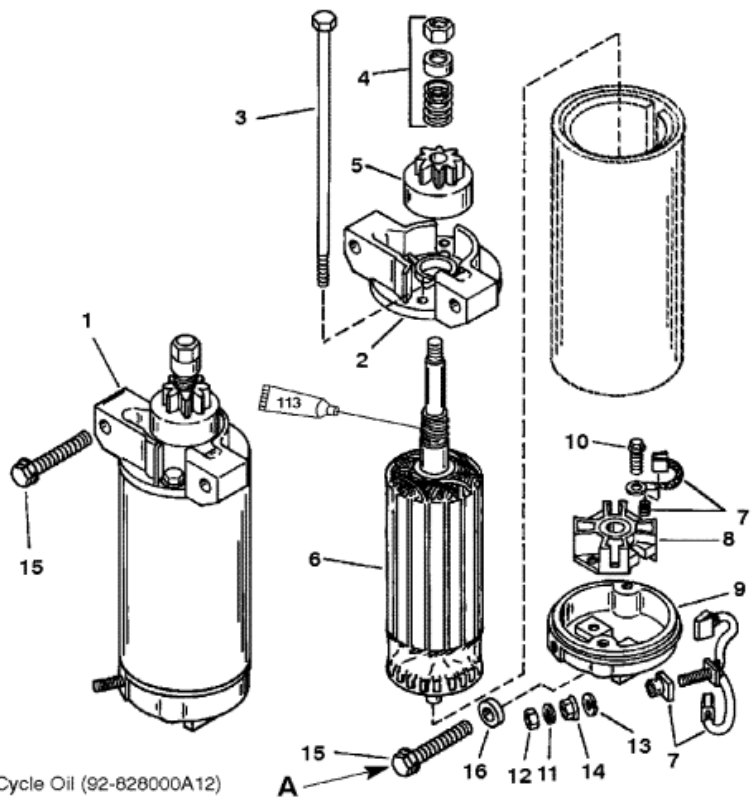


Parts List

| Ref | Class | Part   | Description      | Qty | Comment | Footnote |
|-----|-------|--------|------------------|-----|---------|----------|
| 1   | 50    | 818445 | STARTER MOTOR    | 1   |         |          |
| 2   |       | 823639 | DRIVE CAP        | 1   |         |          |
| 3   | 10    | 823641 | THRU BOLT        | 2   |         |          |
| 4   |       | 823640 | DRIVE KIT        | 1   |         |          |
| 5   |       | 13310  | PINION           | 1   |         |          |
| 6   |       | 823638 | ARMATURE         | 1   |         |          |
| 7   |       | 75384  | BRUSH/SPRING KIT | 1   |         |          |
| 8   |       | 61787  | BRUSH HOLDER     | 1   |         |          |
| 9   |       | 811901 | COMMUTATOR CAP   | 1   |         |          |
| 10  |       | F15158 | SCREW            | 2   |         |          |
| 11  | 13    | 26992  | LOCKWASHER       | 2   |         |          |
| 12  | 11    | 94330  | NUT (1/4-20)     | 2   |         |          |
| 13  | 13    | 26992  | LOCKWASHER       | 1   |         |          |
| 14  | 11    | 20890  | NUT (1/4-20)     | 1   |         |          |
| 15  | 10    | 818934 | SCREW (M8 X 40)  | 3   |         |          |
| 16  | 23    | 824921 | SPACER           | 1   |         |          |



113 4 Cycle Oil (92-828000A12)  
**A** - Torque bottom starter bolt to 21 lb. ft. (28.5 N·m)